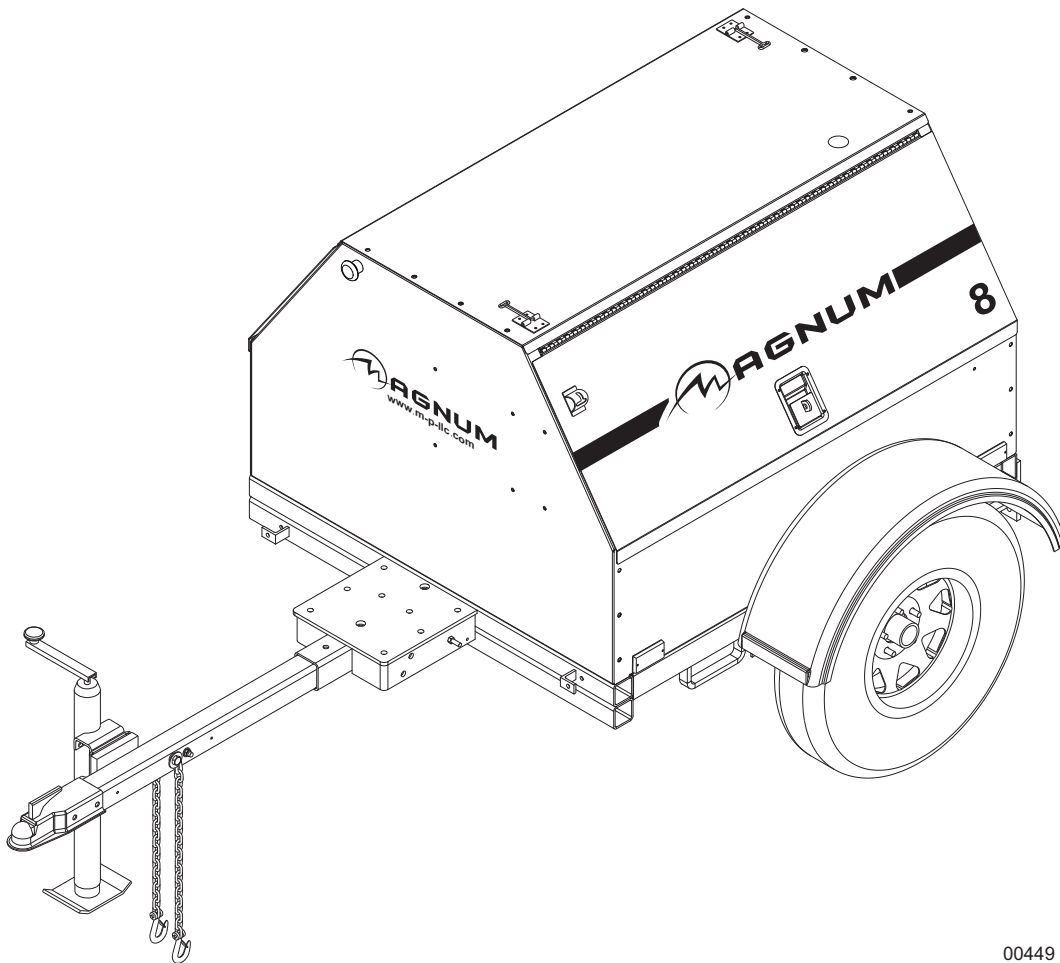




DIESEL GENERATOR MLG8K



00449

PARTS MANUAL

INTRODUCTION

This manual provides information and procedures to safely operate and maintain the Magnum Power Products LLC unit. For your own safety and protection from physical injury, carefully read, understand, and observe the safety instructions described in this manual. Keep a copy of this manual with the unit at all times. Additional copies are available from Magnum Power Products LLC, or can be found at www.m-p-llc.com. *The information contained in this manual was based on machines in production at the time of publication. Magnum Power Products LLC reserves the right to change any portion of this information without notice.*

Read all of the manuals included with the unit. Each manual details specific information regarding items such as setup, use and service requirements. An engine operator's manual provides detailed operation and maintenance procedures for the engine. Additional copies of the engine operator's manual are available from the engine manufacturer.

DO NOT MODIFY or use this equipment for any application other than which it was designed for.

Magnum Power Products LLC recommends that a trained and licensed professional perform all electrical wiring and testing functions. Any wiring should be in compliance with the National Electrical Code (NEC), state and local codes and Occupational Safety and Health Association (OSHA) guidelines.

MAGNUM POWER PRODUCTS LLC

215 Power Drive • Berlin, WI 54923

U.S.A.

Phone: 920-361-4442

FAX: 920-361-4416

Toll Free: 1-800-926-9768

www.m-p-llc.com

For technical or parts **QUESTIONS**, please contact the Magnum Power Products LLC Customer Support or Technical Support team at 1-800-926-9768. Please have your serial number available.

To **ORDER SERVICE PARTS**, please contact the dealer from which you purchased the unit, or call Magnum Power Products LLC to locate a dealer in your area.

Engine Make: _____

Engine Serial Number: _____

Engine Model Number: _____

Generator Make: _____

Generator Model Number: _____

Generator Serial Number: _____

Unit Model Number: _____

Unit Serial Number: _____

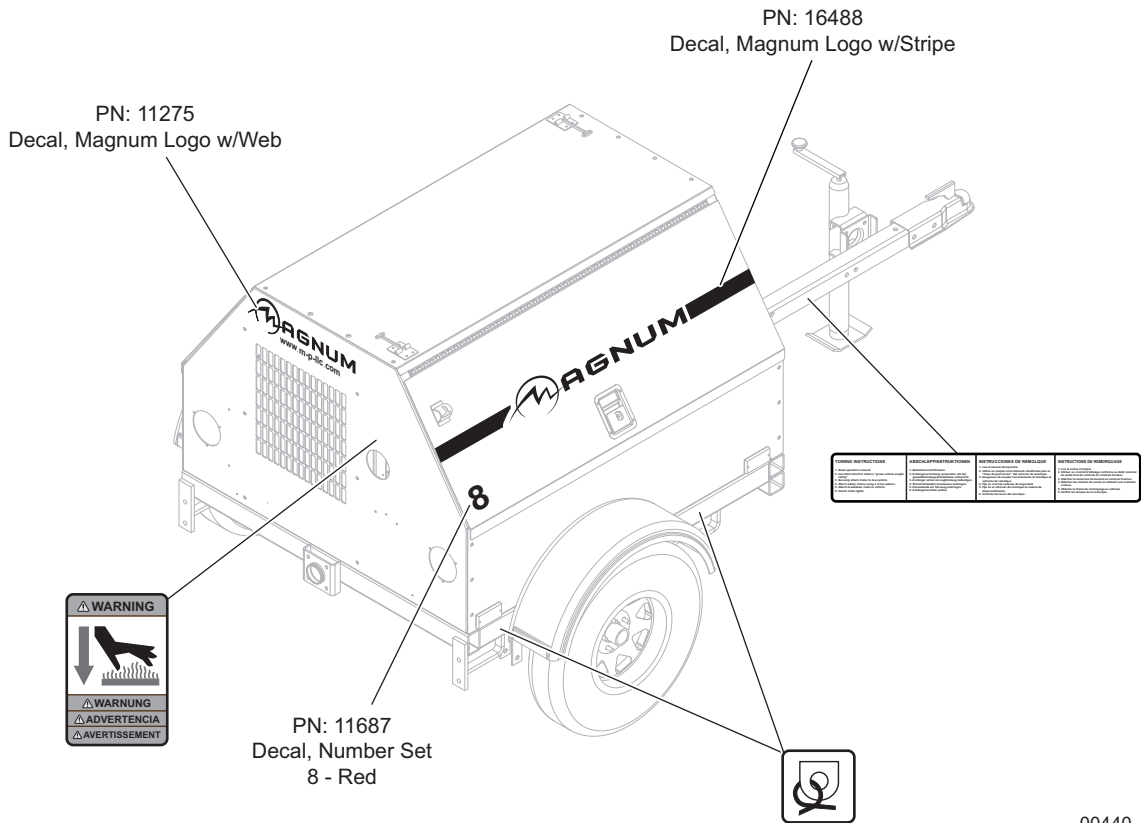
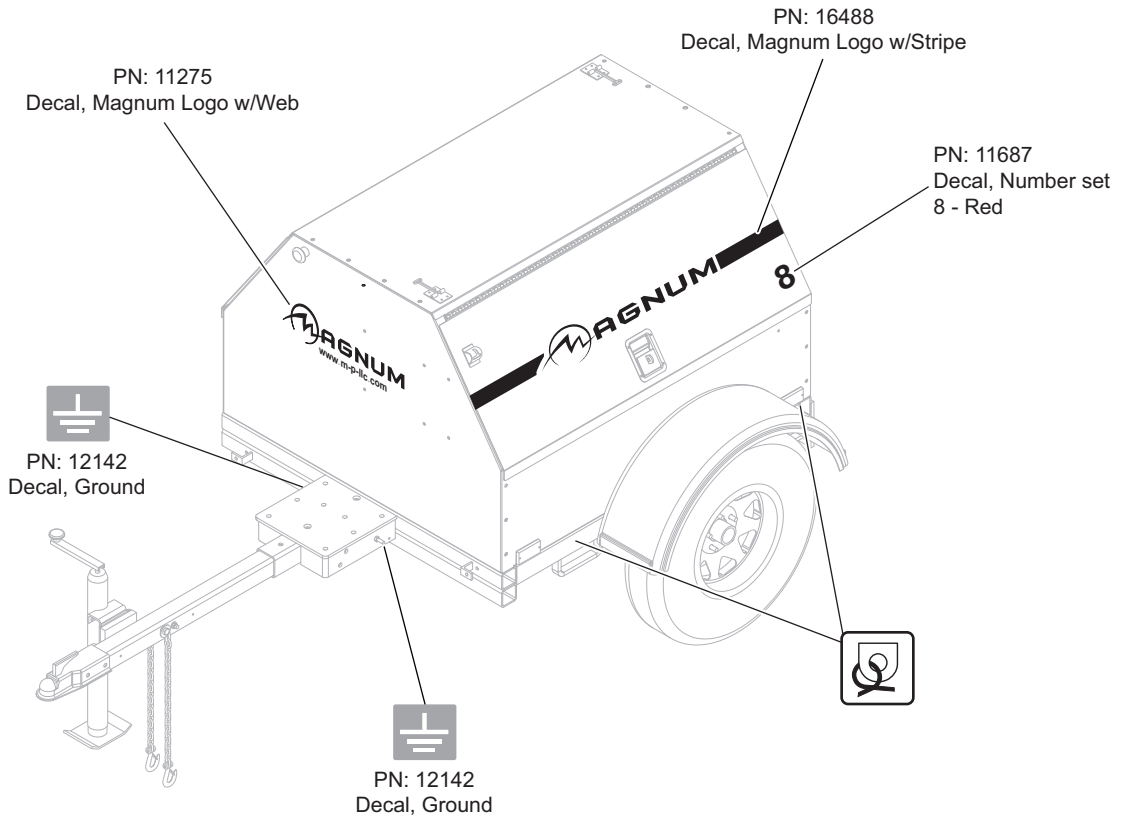
▲ WARNING

CALIFORNIA PROPOSITION 65 WARNING: Diesel engine exhaust and some of its constituents are known to the state of California to cause cancer, birth defects and other reproductive harm.

TABLE OF CONTENTS

	Page
INTRODUCTION	2
UNIT DECALS - EXTERIOR	4
UNIT DECALS - INTERIOR	5
LIFT STRUCTURE OPTION	6
ROOF AND DOORS TO UNIT	8
PANELS TO UNIT	10
OVERFLOW JUG ASSEMBLY	12
CONTROL BOX TO PANEL.....	14
CONTROL BOX ASSEMBLY	16
COOLING SYSTEM ASSEMBLY	18
ENGINE AND GENERATOR TO SKID	20
AIR FILTER ASSEMBLY	22
ENGINE ASSEMBLY - LEFT SIDE	24
ENGINE ASSEMBLY - RIGHT SIDE.....	26
GENERATOR ASSEMBLY	28
FUEL TANK ASSEMBLY	30
FRAME ASSEMBLY	32
FRAME ASSEMBLY OPTIONS	34
AXLE ASSEMBLY	36
TRAILER LIGHTS WIRING DIAGRAM	38
RECOMMENDED SPARE PARTS LIST	40
NOTES	41

UNIT DECALS - EXTERIOR



00440

Note: All safety and operating decals are located on decal sheet 10288, unless otherwise noted.

UNIT DECALS - INTERIOR

WARNING

WARNING
ADVERTENCIA
AVERTISSEMENT

On Inside of Rear Panel

DANGER
GEFAHR
PELIGRO
DANGER

DIESEL

NOTICE
LOW OR ULTRA
LOW SULFUR
FUEL ONLY

PN: 28695
Decal, Low or Ultra Sulfur Fuel Only

WARNING

WARNING
ADVERTENCIA
AVERTISSEMENT

On Side of Generator

WARNING

WARNING
ADVERTENCIA
AVERTISSEMENT

WARNING

OPERATOR'S MANUAL MUST BE STORED ON MACHINE. REPLACEMENT OPERATOR'S MANUAL CAN BE ORDERED THROUGH YOUR LOCAL MAGNUM DISTRIBUTOR.
DIE BETRIEBSVORSCHRIFT MUSS AN DER MASCHINE AUFBEWAHRT WERDEN. ZUR BESTELLUNG VON ERSETZTEILEN WENDEN SIE SICH BITTE AN IHREN ÖRTLICHEN MAGNUM HÄNDLER.
EL MANUAL DE OPERACION DEBE SER RETENIDO EN LA MAQUINA. CONTACTE A SU DISTRIBUIDOR MAGNUM MAS CERCA PARA PEDIR UN EJEMPLAR ADICIONAL.
LA NOTICE D'OPERATION ETE BEA MAINE SUR LA MACHINE. CONTACTER LE DISTRIBUTEUR MAGNUM LE PLUS PROCHE POUR COMMANDER UN ESEMPLE SUPPLEMENTAIRE.

DANGER
GEFAHR
PELIGRO
DANGER

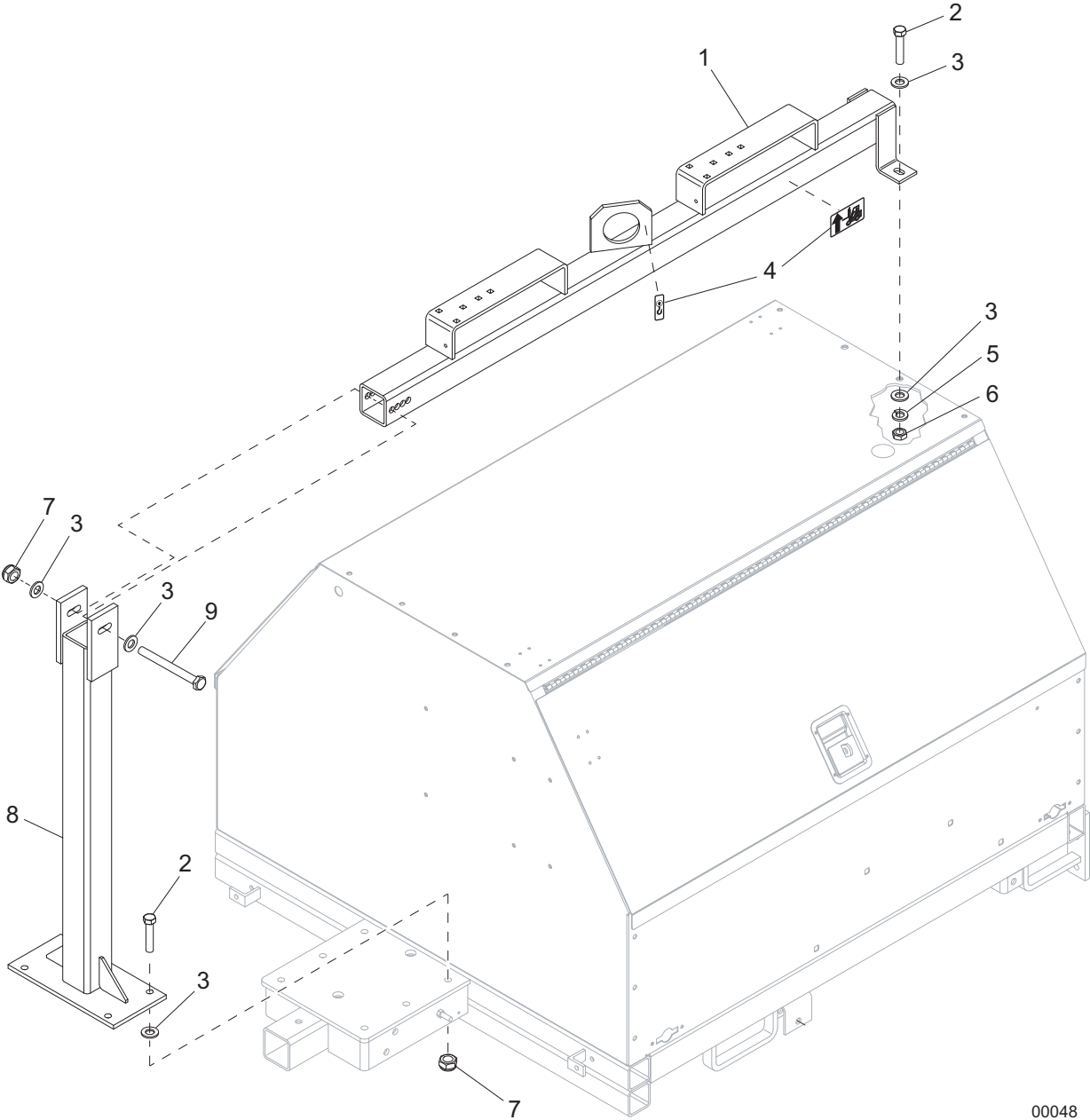
ENGINE OPERATION / MOTORBETRIEB / FUNCIONAMIENTO DEL MOTOR / FONCTIONNEMENT DU MOTEUR:

- BEFORE STARTING THE ENGINE / VOR DEM STARTEN DES MOTORS / ANTES DE ENCENDER EL MOTOR / AVANT DE FAIRE DEMARRER LE MOTEUR:**
 - CHECK FUEL LEVEL. THE BETRIEFER SIND PRÜFEN. NÜHME EL NIVEL DEL COMBUSTIBLE. VÉRIFIER LE NIVEL D'ESSENCE.
 - CHECK OIL/LAMP LEVEL. NÜHME EL NIVEL DEL REFRIGERANTE. NÜHME EL NIVEL DE LAMPES DE MOTEUR/ÉCLAIRAGE.
 - CHECK ENGINE OIL LEVEL. MOTORÖL SIND PRÜFEN. VERIFIE EL NIVEL DE ACEITE DEL MOTOR. VÉRIFIER LE NIVEL D'HUILE DU MOTEUR.
 - MAKE SURE MAIN CIRCUIT BREAKERS OFF. HINWEISEN SIE SICH AN DEN HAUPTSTROMSCHALTERN. ASEGURESE DE QUE LOS CORTACIRCUITOS PRINCIPALES ESTAN APAGADOS. S'ASSURER QUE LES DISJONCTEURS PRINCIPAUX SONT DESACTIVÉS.
- ALL CIRCUIT BREAKERS OFF / ALLE TRENNSCHALTER SIND AUSGESCHALTET / TODOS LOS CORTACIRCUITOS ESTÁN APAGADOS / TOUS LES DISJONCTEURS DU CIRCUIT SONT DESACTIVÉS!**
- START ENGINE / MOTOR STARTEN / ENCIENDA EL MOTOR / FAIRE DEMARRER LE MOTEUR**
ACTIVATE SLOW PULSES CRANK ENGINE TO START RELEASE KEY
- TURN CIRCUIT BREAKERS ON / TRENNSCHALTER EINSCHALTEN / ENCIENDA LOS CORTACIRCUITOS / ACTIVER LES DISJONCTEURS DU CIRCUIT**
- SHUT DOWN / AUSSCHALTEN / APAGUE / ÉTEINDRE**
ALL CIRCUIT BREAKERS OFF / ALLE TRENNSCHALTER SIND AUSGESCHALTET / TODOS LOS CORTACIRCUITOS ESTÁN APAGADOS / TOUS LES DISJONCTEURS DU CIRCUIT SONT DESACTIVÉS!
- STOP ENGINE / MOTOR STOPPEN / DETENGA EL MOTOR / ÉTEINDRE LE MOTEUR**

00441

Note: All safety and operating decals are located on decal sheet 10288, unless otherwise noted.

LIFT STRUCTURE OPTION

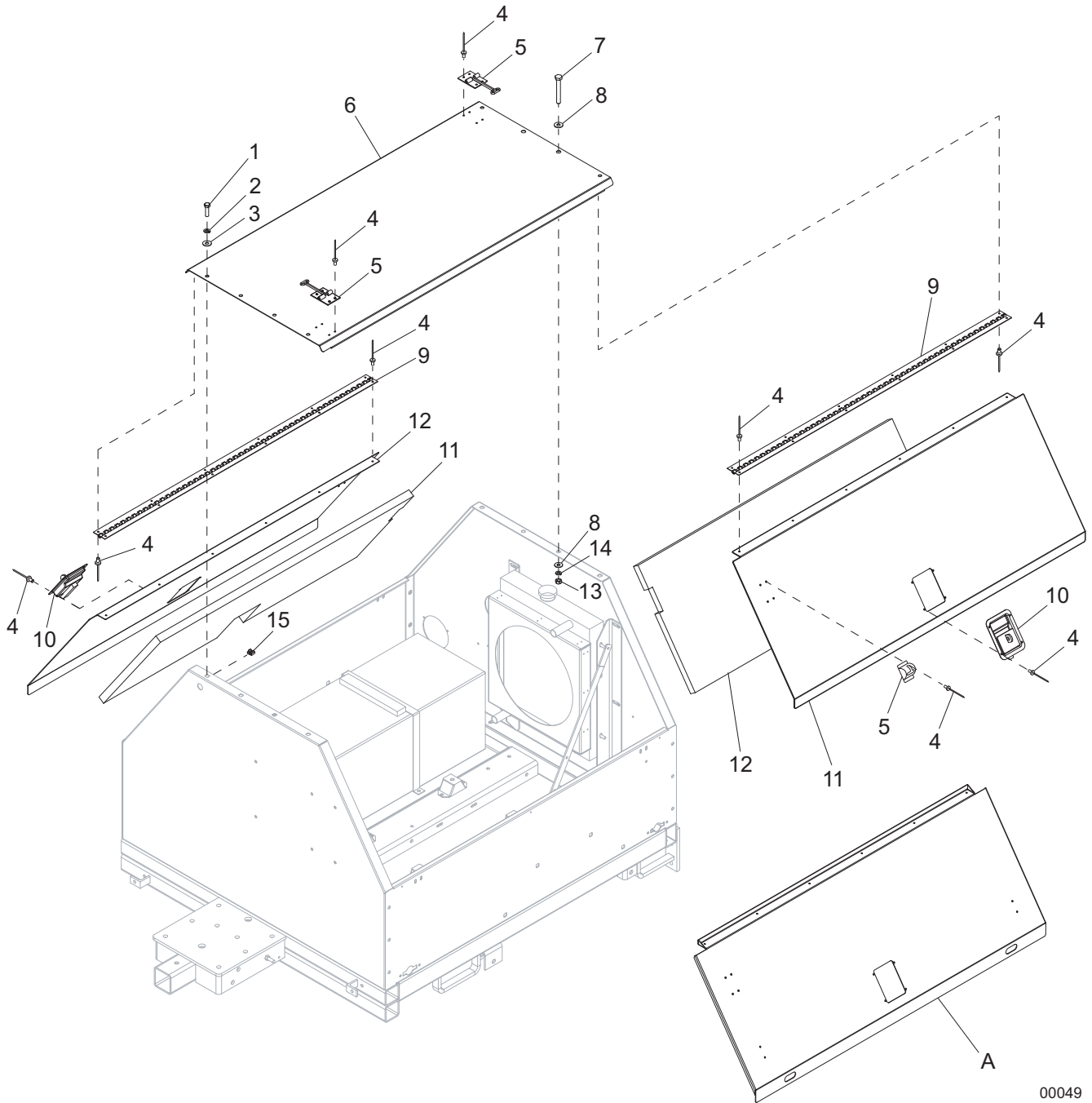


00048

LIFT STRUCTURE OPTION

ITEM	PART NO.	QTY	DESCRIPTION	NOTES
1	12567B	1	Weldment, lift structure - horizontal	
2	60683	6	Screw, .500-13x1.50 std hex, SS	
3	60699	10	Washer, .500 flat 1.070/080, SS	
4	10687	1	Decal, lift structure	
5	60702	2	Washer, .500 split lock, SS	
6	60681	2	Nut, .500-13 hex, SS	
7	60680	5	Nut, .500-13 nylock, SS	
8	12566B	1	Weldment, lift structure - vertical	
9	60705	1	Screw, .500-13x5.0 std hex, SS	
--	960171	1	Assembly, lift structure	

ROOF AND DOORS TO UNIT



00049

ROOF AND DOORS TO UNIT

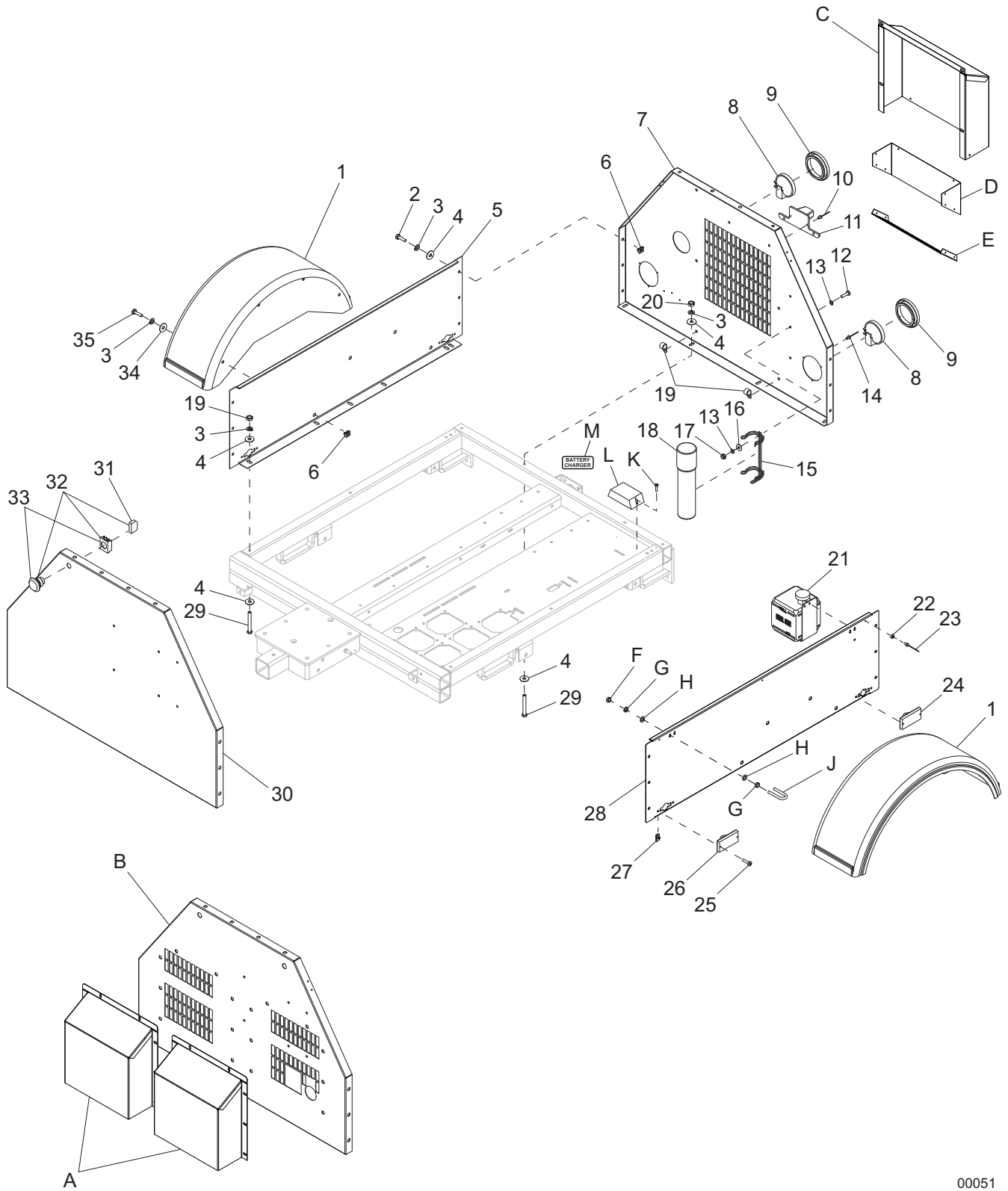
ITEM	PART NO.	QTY	DESCRIPTION	NOTES
1	60690	6	Screw, .375-16x1.0 std hex, SS	
2	60703	6	Washer, .375 split lock, SS	
3	60698	6	Washer, .375 flat .875/.040, SS	
4	60268	48	Rivet, .188 dia. x .126 to .250 grip, SS	
5	12605	2	Door latch - T-style, SS	
6	16538W	1	Panel, top	
7	60683	2	Screw, .500-13x1.50 std hex, SS	
8	60699	4	Washer, .500 flat 1.070/.080, SS	
9	16598	2	Hinge, door - .188 pin, 48.5 long	
10	15123	2	Latch, paddle - w/7 lb spring	
11	16591W	2	Panel, door	
12	11724	2	Foam, door	
13	14229	2	Nut, .500-13 hex, G2	
14	60702	2	Washer, .500 split lock, SS	
15	60657	6	Nut, .375-16 cage, G5	

OPTIONAL FEATURES

Tamper Pack:

A	12197	2	Assembly, door
---	-------	---	----------------

PANELS TO UNIT



00051

PANELS TO UNIT

ITEM	PART NO.	QTY	DESCRIPTION	NOTES
1	16560	2	Fender, plastic	
2	60690	12	Screw, .375-16x1.0 std hex, SS	
3	60703	40	Washer, .375 split lock, SS	
4	60698	32	Washer, .375 flat .875/.040, SS	
5	12025W	1	Panel, right side	
6	60657	20	Nut, .375-16 cage, G5	
7	11684W	1	Panel, rear	
8	10220	2	Light, rear tail/turn, round, no grommet	
9	10221	2	Grommet, rear light, rubber 4.5 in	
--	10219	2	Assembly, rear tail/turn light	
10	60231	2	Rivet, .188 dia. x .375 to .500 grip	
11	10223	1	Assembly, license plate light/holder	
12	60446	2	Screw, M5-0.80x20 pan phil, SS	
13	60067	4	Washer, #10 flat .435/.060, SS	
14	60268	2	Rivet, .188 dia. x .126 to .250 grip, SS	
15	11222	1	Bracket, manual holder	
16	60089	2	Washer, .265 fender 1.250/.060	
17	60038	2	Nut, M5-.80 nylock, class 6	
18	11121	1	Tube, black manual holder, 14 in	
19	15628	2	Clamp, wire - .38 plastic	
20	60140	8	Nut, .375-16 hex, G5	
21	Page 12	1	Assembly, overflow jug	
22	15215	6	Bumper, rubber	
23	60267	6	Rivet, .125 dia. x .191 to .270 grip, alum	
24	66372	2	Lens, red - light, clearance marker	
--	65406	1	Assembly, light - clearance marker, red	
25	60694	8	Screw, 8-32x.750 pan phil, SS	
26	66373	2	Lens, amber - light, clearance marker	
--	65407	1	Assembly, light - clearance marker, amber	
27	60730	8	Nut, 8-32 U-clip (spring steel)	
28	11677W	1	Panel, left side	
29	60689	16	Screw, .375-16x4.0 std hex, SS	
30	12012W	1	Panel, front	
31	65580	1	Block, E-stop contactor - NC (low voltage)	
32	22550	1	Switch, E-stop - 2NO/1NC	
33	65470	1	Switch, E-stop operator	
34	60729	8	Washer, .375 fender 1.50/.090	
35	60295	8	Screw, .375-16x.75 std hex, SS	

OPTIONAL FEATURES

Containment/Silent Pack:

A	16469W	2	Duct, front
B	12754W	1	Panel, front
C	12189W	1	Duct, radiator guard

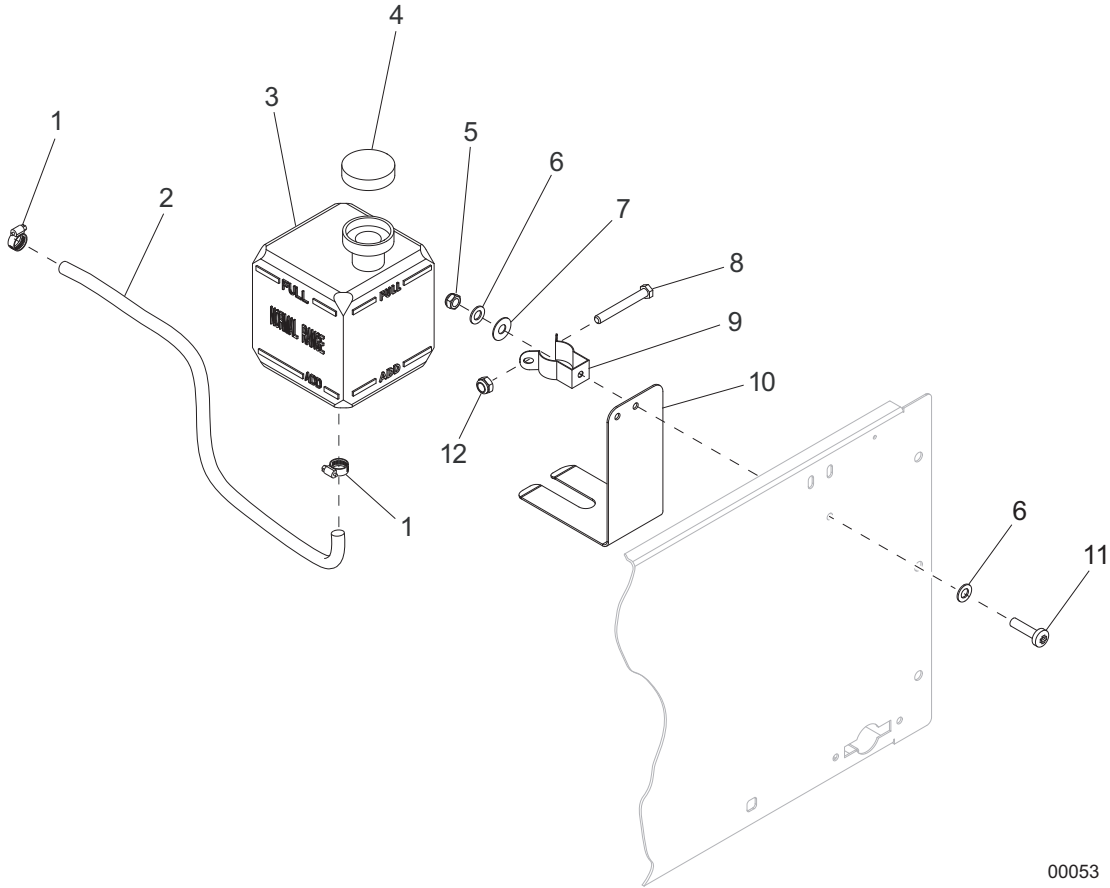
Tamper Pack:

D	13868W	1	Panel, duct grate bracket
E	12837W	1	Grate, duct - white
F	60284	8	Nut, .250-20 hex, G2
G	60286	4	Washer, .250 split lock
H	60243	8	Washer, .250 flat .735/.060
J	60200	2	Bolt, U .250-20x.750x1.25

Battery Charger:

K	60364	2	Screw, 10-16x.500 std hex, G2
L	65326	1	Charger, battery - 2A, 3 stage
M	21259	1	Decal, battery charger

OVERFLOW JUG ASSEMBLY

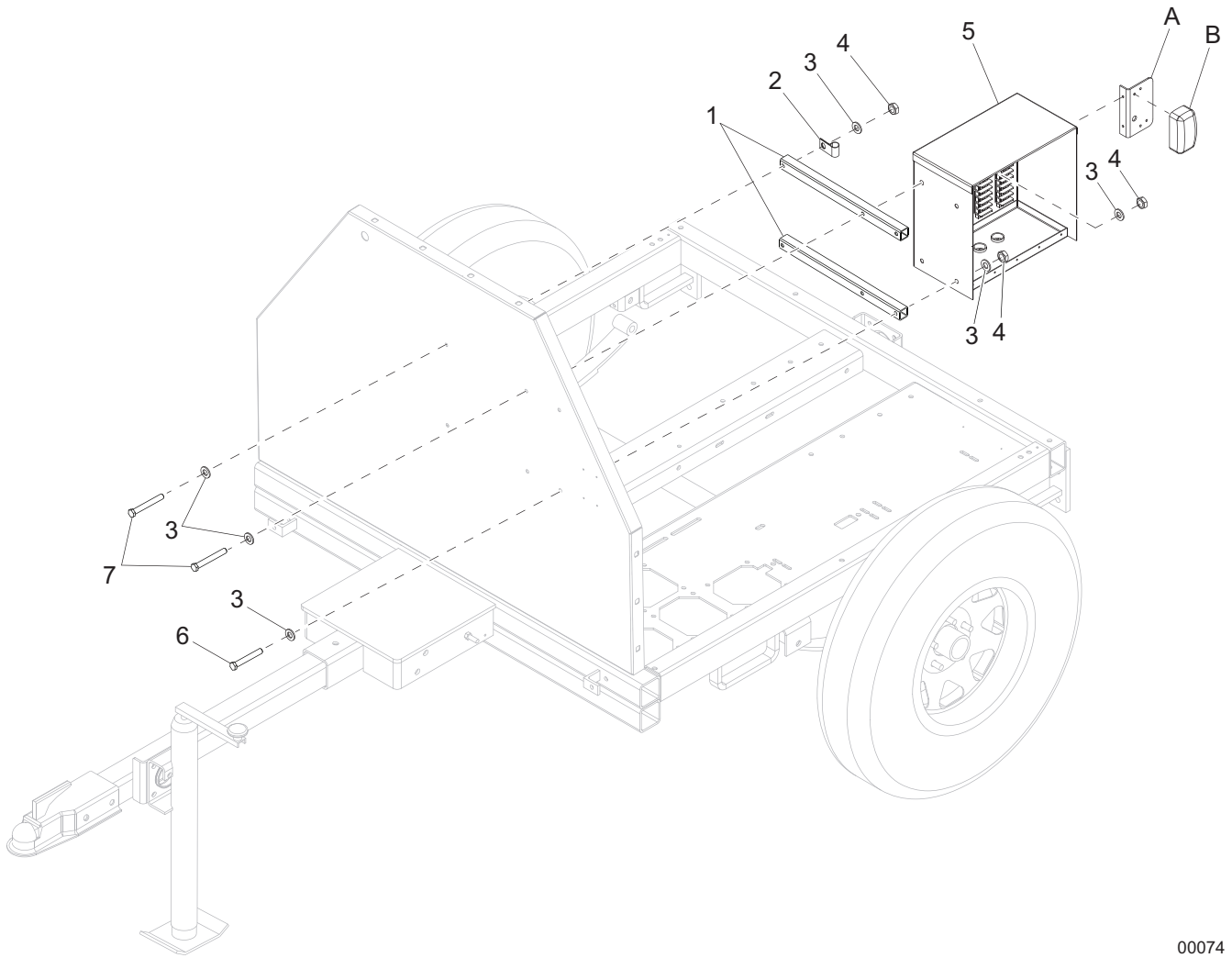


00053

OVERFLOW JUG ASSEMBLY

ITEM	PART NO.	QTY	DESCRIPTION	NOTES
1	60777	2	Clamp, hose - .312 fuel hose, crimp style	
2	50018	3.75 ft	Hose, fuel - .312 ID, 50 psi, SAE 30R7	
3	20287	1	Jug, overflow 2 qt (.5 gal)	
4	19714	1	Cap, overflow bottle	
5	60061	1	Nut, 10-32 nylock	
6	60067	2	Washer, #10 flat .435/.060, SS	
7	60696	1	Washer, .250 flat .625/.050, SS	
8	60414	1	Screw, .250-20x1.50 std hex, G5	
9	19726	1	Clamp, overflow bottle	
10	22419B	1	Bracket, support overflow jug - .5 gal	
11	61180	1	Screw, 10-32x.750 pan phil, SS	
12	60144	1	Nut, .250-20 nylock, G5	
--	14410	1	Assembly, overflow jug - 2 qt	Items 1 - 12

CONTROL BOX TO PANEL



00074

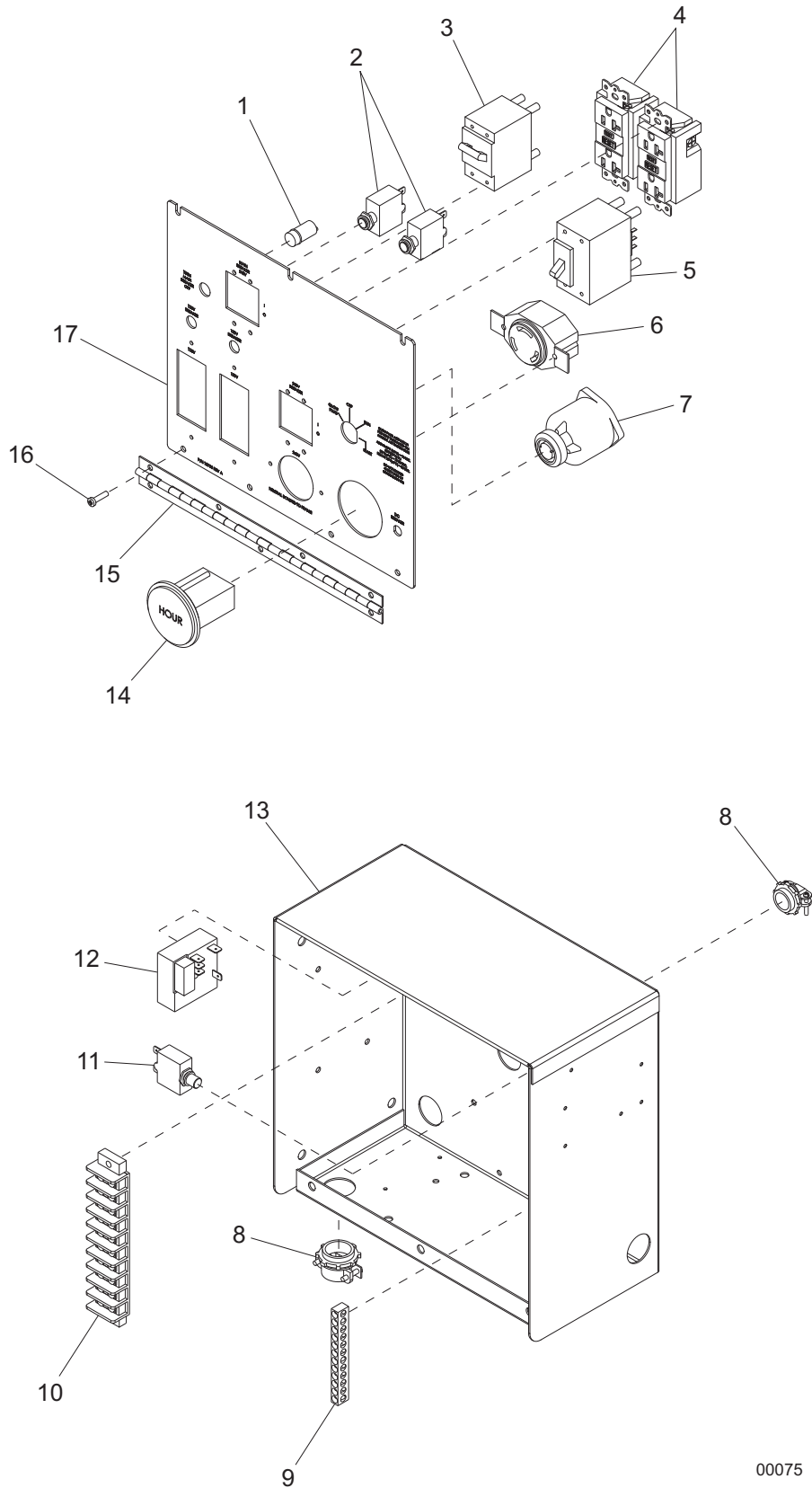
CONTROL BOX TO PANEL

ITEM	PART NO.	QTY	DESCRIPTION	NOTES
1	11543B	2	Spacer, control box	
2	60649	1	Clamp, tubing - .750 hvy duty	
3	60340	12	Washer, .312 flat .875/.040, SS	
4	60303	6	Nut, .312-18 nylock, G2	
5	Page 16	1	Assembly, completed control box	
6	60785	1	Screw, .312-18x2.00 std hex, SS	
7	62043	6	Screw, .312-18x2.25 std hex, SS	

OPTIONAL FEATURES

--	14433	1	Level, eye	
<i>Interior Lights:</i>				
A	11949B	1	Bracket, control box light mount	
B	11947	1	Light, interior, w/switch	
--	19227	1	Fitting, bushing-.812 ODx.625 ID	
--	65145	1	Holder, fuse - 20A fuse ATC, 16A cont	
--	65211-1	1	Fuse, 10A blade type	

CONTROL BOX ASSEMBLY

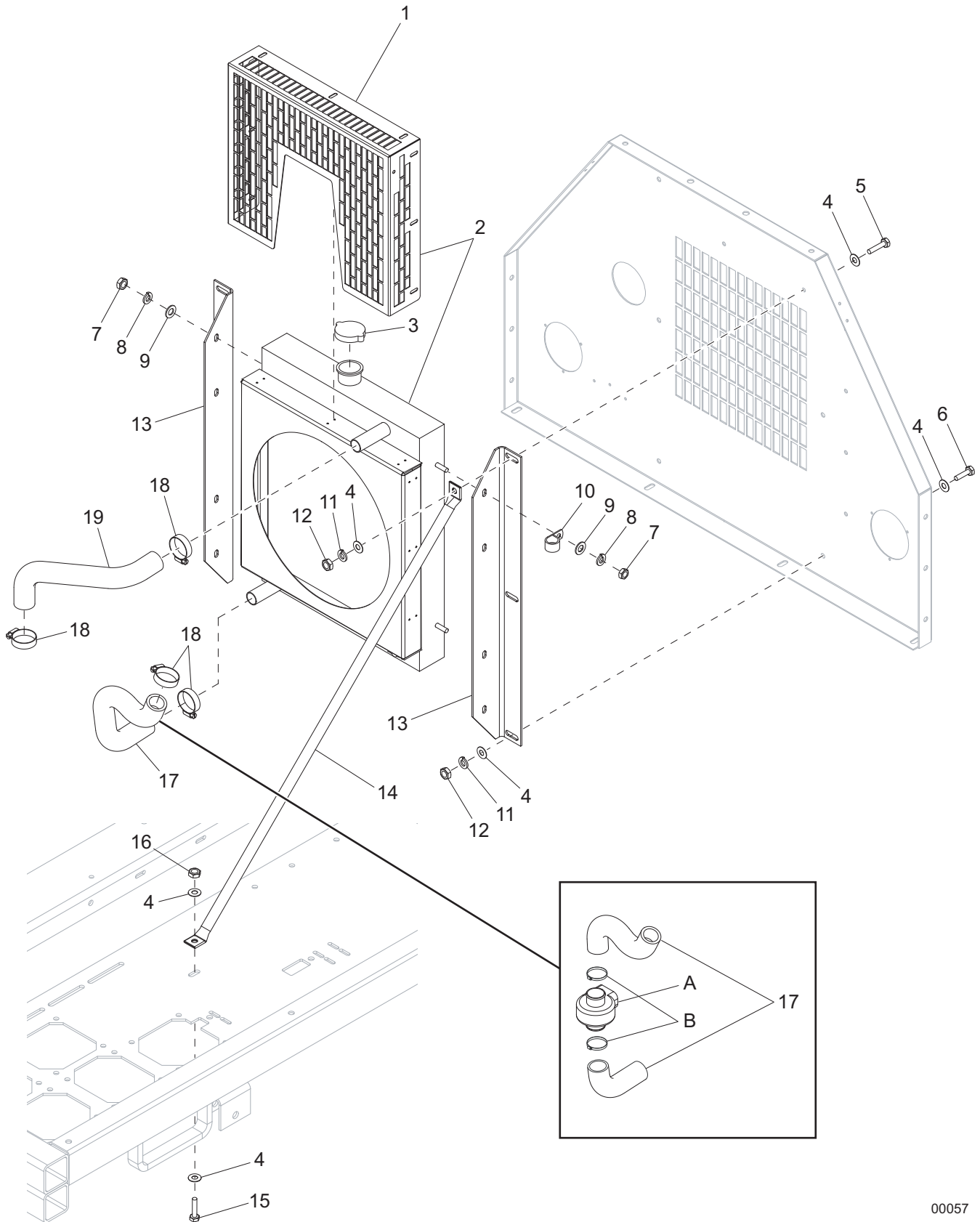


00075

CONTROL BOX ASSEMBLY

ITEM	PART NO.	QTY	DESCRIPTION	NOTES
1	65388	1	Light, indicator red - w/wire 12VDC	
2	65849	2	Breaker, 20A/120V, 1-pole push button	
3	65864	1	Breaker, 40A/250V, 2 pole, screw term, w/aux	
4	14130	2	Receptacle, 120V/20A GFCI	
5	65963	1	Breaker, 30A/250V, 2 pole, stud term, w/aux	
6	14137	1	Receptacle, 30A/240V twist-lock (L6-30R)	
7	15195	1	Switch, key	
8	14219	6	Strain relief - .75 Romex w/nut	
9	14204	1	Kit, ground bar	
10	14203	1	Block, terminal - 10 pos	
11	65850	1	Breaker, 10A/240V, 1 pole push button	
12	14201	1	Relay, 10A SPDT 12VDC	
13	13666B	1	Box, control	
14	15085	1	Gauge, hour meter	
15	13677	1	Hinge, continuous - 11.00 in	
16	60277	4	Screw, 10-32x.500 pan phil, G2	
17	13738	1	Panel, control	
--	10536	1	Wire group, control panel	
--	10439	1	Wire group, control box	
--	13544	1	Assembly, control panel	
--	10521	1	Assembly, control box	

COOLING SYSTEM ASSEMBLY



00057

COOLING SYSTEM ASSEMBLY

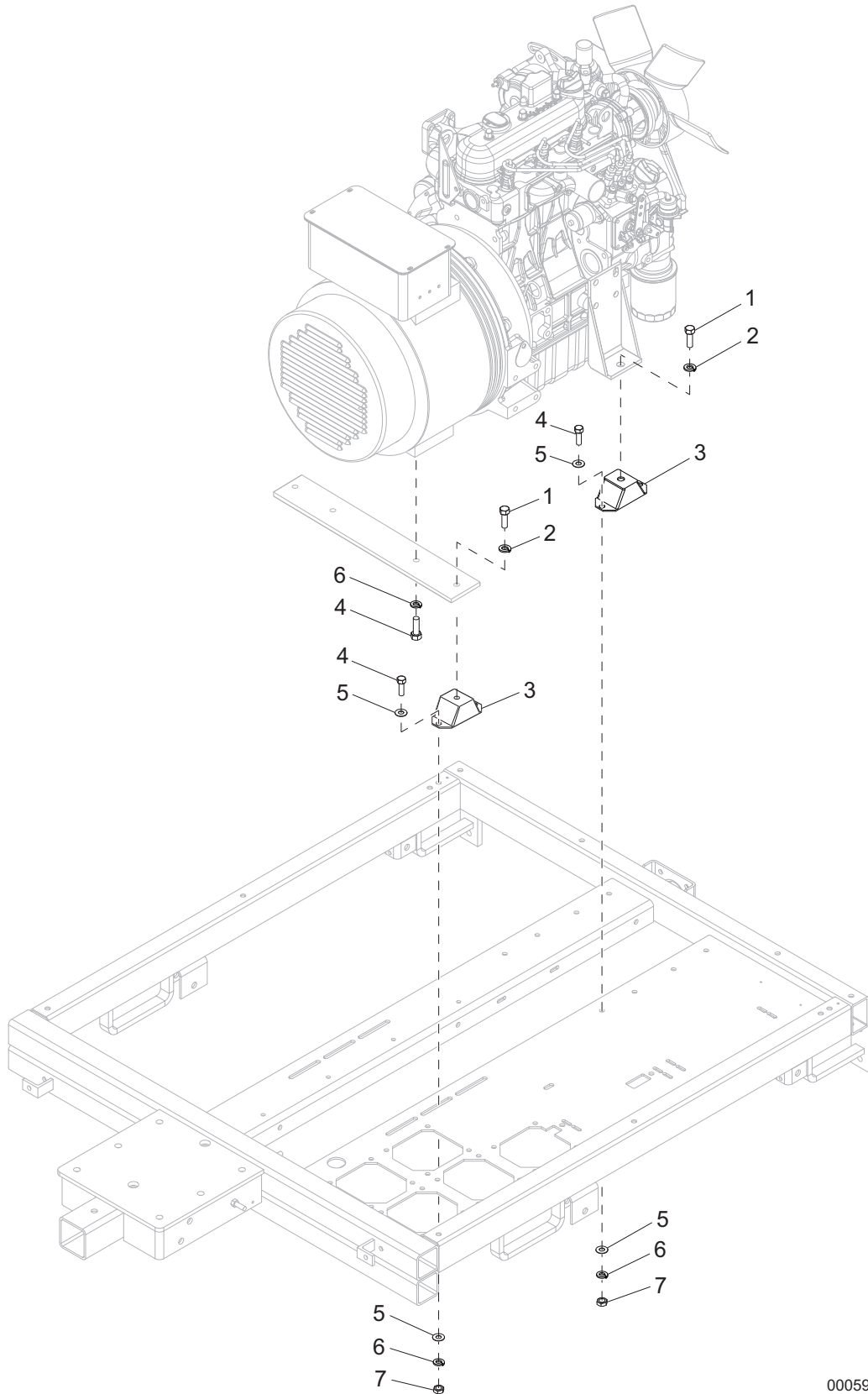
ITEM	PART NO.	QTY	DESCRIPTION	NOTES
1	11413	1	Fan guard	
2	13924	1	Radiator w/fan guard	
3	19219	1	Cap, pressure radiator - 14 psi	
4	60698	12	Washer, .375 flat .875/.040, SS	
5	61036	1	Screw, .375-16x1.25 std hex, SS	
6	60690	5	Screw, .375-16x1.0 std hex, SS	
7	60032	4	Nut, M8-1.25 hex, G8.8	
8	60271	4	Washer, .312 split lock	
9	60243	4	Washer, .250 flat .735/.060	
10	15627	2	Clamp, tubing - .625 hvy duty	
11	60703	6	Washer, .375 split lock, SS	
12	60140	6	Nut, .375-16 hex, G5	
13	11683B	2	Bracket, radiator	
14	13604B	1	Strut, reinforcing	
15	60690	1	Screw, .375-16x1.0 std hex, SS	
16	60358	1	Nut, .375-16 nylock, G5	
17	12350	1	Hose, radiator - lower	
18	15422	4	Clamp, hose - SAE 020 (.75-1.75)	
19	16687	1	Hose, radiator - upper	

OPTIONAL FEATURES

Engine Heater:

A	65649	1	Heater, engine - low radiator hose, 1 in
B	15422	2	Clamp, hose - SAE 020 (.75-1.75)

ENGINE AND GENERATOR TO SKID

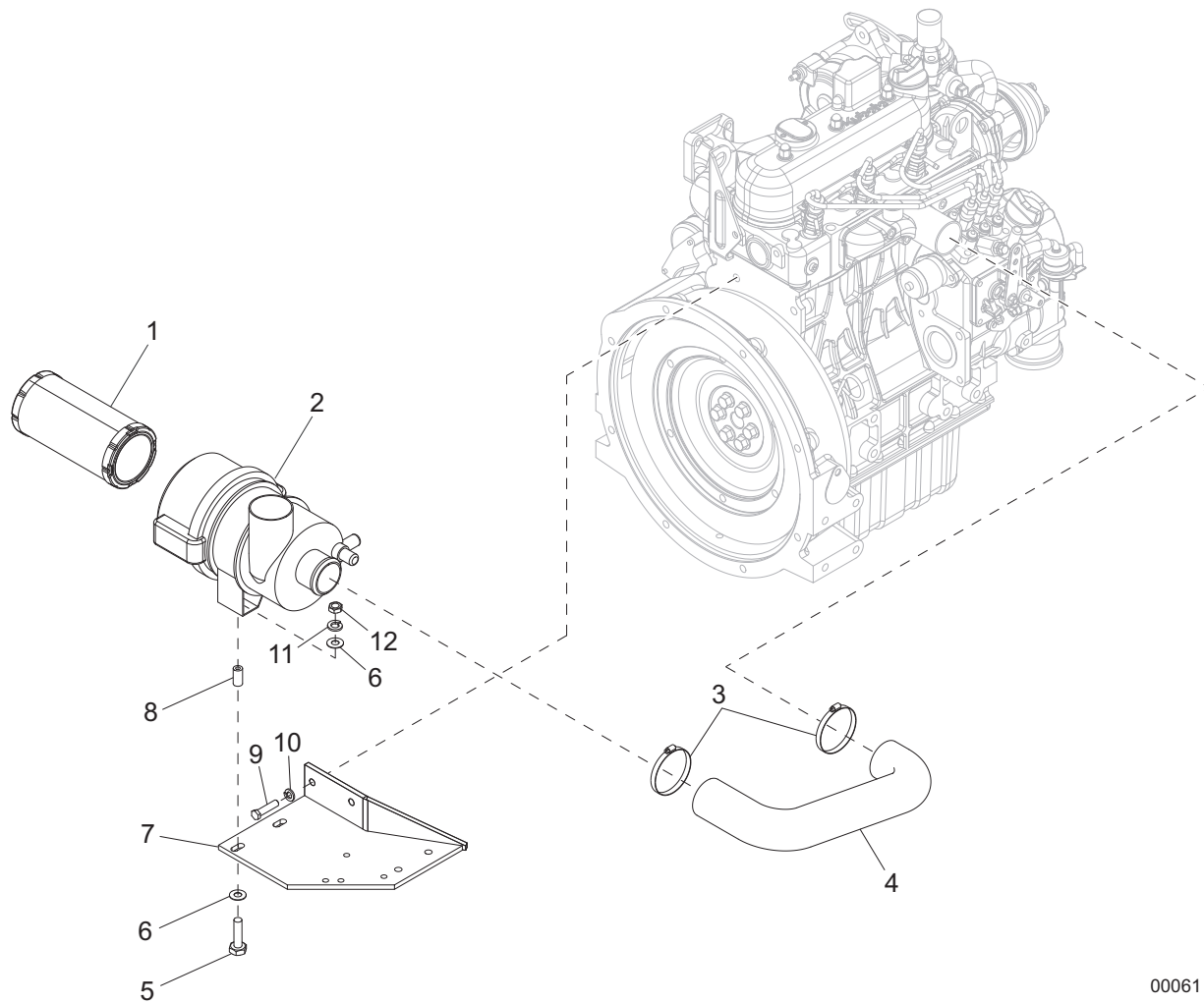


00059

ENGINE AND GENERATOR TO SKID

ITEM	PART NO.	QTY	DESCRIPTION	NOTES
1	60275	4	Screw, .500-13x1.0 std hex, G5	
2	60702	4	Washer, .500 split lock, SS	
3	15241	4	Isolator, rubber - 80-200 lbs	
4	60205	10	Screw, .375-16x1.0 std hex, G5	
5	60698	16	Washer, .375 flat .875/.040, SS	
6	60206	10	Washer, .375 split lock	
7	60140	8	Nut, .375-16 hex, G5	

AIR FILTER ASSEMBLY

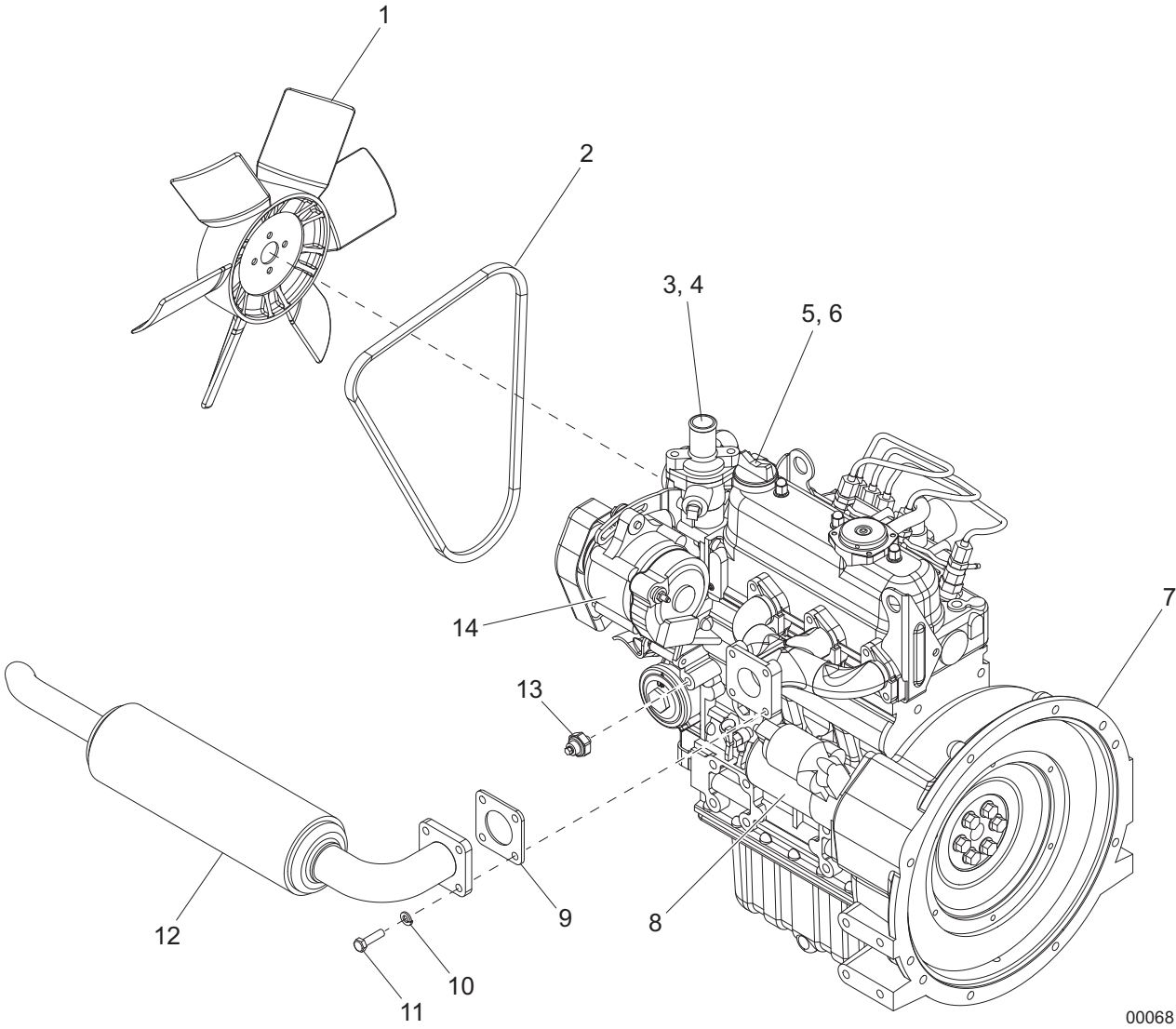


00061

AIR FILTER ASSEMBLY

ITEM	PART NO.	QTY	DESCRIPTION	NOTES
1	16444	1	Element, air filter	
2	34066	1	Filter, air, w/bracket	
3	60316	2	Clamp, hose - SAE 032 (1.56-2.50)	
4	16589	1	Hose, air cleaner	
5	60403	2	Screw, .312-18x2.0 std hex, G5	
6	60243	4	Washer, .250 flat .735/.060	
7	13483B	1	Weldment, filter bracket	
8	41235ZY	2	Spacer, .75 ODX.375 IDx1.0 long	
9	61082	2	Screw, M8-1.25x20 std hex, G8.8	
10	60029	2	Washer, M8 split lock	
11	60271	2	Washer, .312 split lock	
12	60285	2	Nut, .312-18 hex, G2	

ENGINE ASSEMBLY - LEFT SIDE



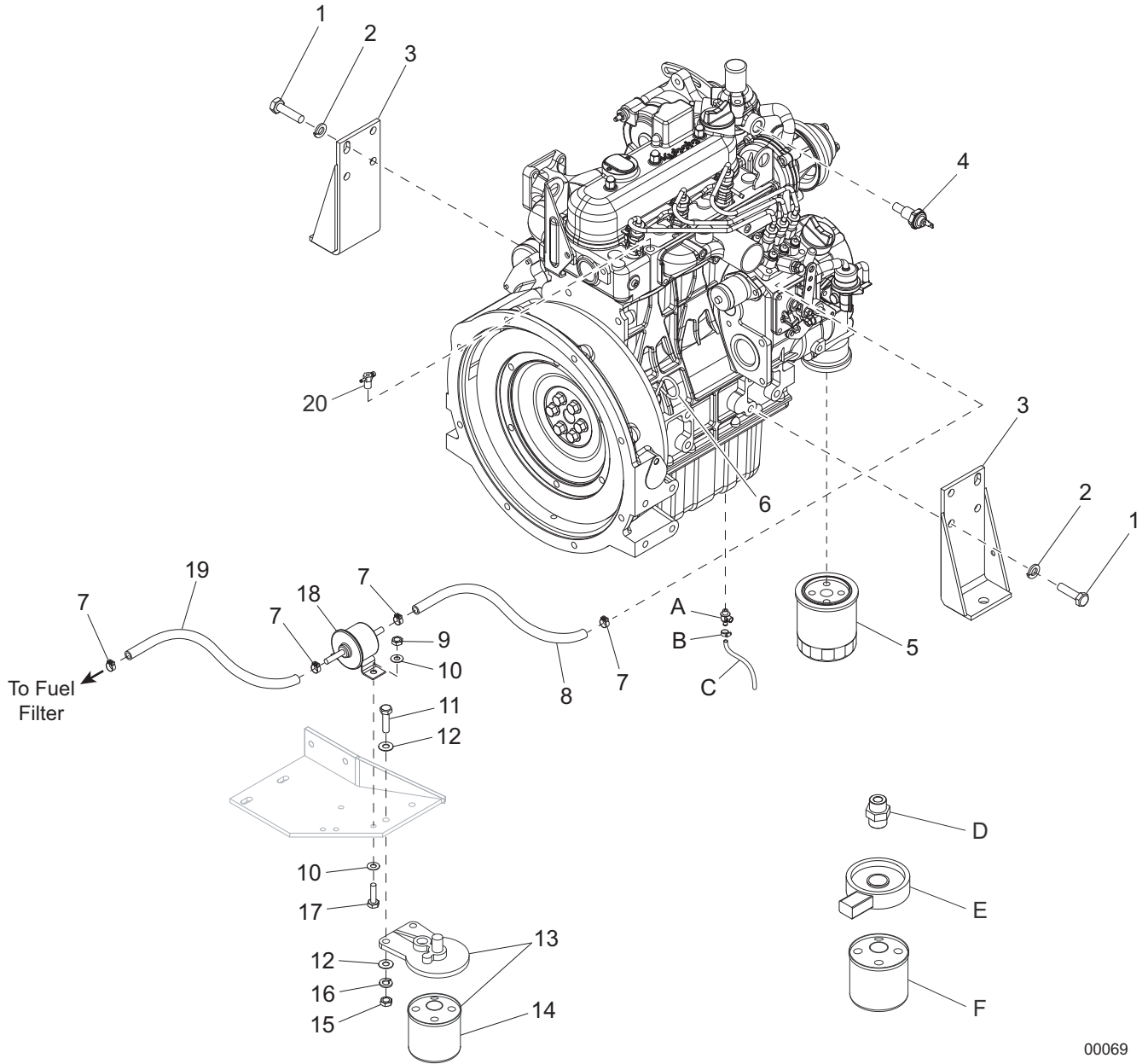
00068

ENGINE ASSEMBLY - LEFT SIDE

ITEM	PART NO.	QTY	DESCRIPTION	NOTES
1	15495	1	Fan, pusher	
2	11628	1	V-belt	
3	12488	1	Thermostat assembly	
4	12489	1	Thermostat gasket	
5	12484	1	Cap, oil fill	
6	10758	1	O-ring, oil fill cap	
7	13281	1	Engine, Kubota D1105BG	
8	13298	1	Starter, engine - 12V 1.4KW	
9	11042	1	Gasket, exhaust manifold	
10	60271	4	Washer, .312 split lock	
11	63168	4	Screw, M8-1.25x30 std hex, G10.9	
12	13709	1	Muffler, 30° flare	
13	18106	1	Sensor, oil pressure	
14	12486	1	Alternator	

Note: Engine and generator parts used in all Magnum Power Products LLC equipment carry the Original Equipment Manufacturer (OEM) warranty unless otherwise stated. OEM warranty parts must be purchased through an OEM dealer. Please contact Magnum Power Products LLC with questions. Some Kubota engine parts are serial number specific. Please contact **Kubota Engine America Corp.** or the Magnum Power Products LLC Technical Service Department at 1-800-926-9768 for information regarding engine parts.

ENGINE ASSEMBLY - RIGHT SIDE



00069

ENGINE ASSEMBLY - RIGHT SIDE

ITEM	PART NO.	QTY	DESCRIPTION	NOTES
1	60422	8	Screw, M10-1.25x25 std hex, G8.8	
2	60026	8	Washer, M10 split lock	
3	12338B	2	Weldment, engine mount	
4	14099	1	Switch, coolant temperature	
5	10775	1	Filter, oil, Kubota D1105	
6	12483	1	Dipstick, engine oil	
7	60777	4	Clamp, hose - .312 fuel hose, crimp style	
8	50018	1 ft	Hose, fuel - .312 ID, 50 psi, SAE 30R7	
9	60144	2	Nut, .250-20 nylock, G5	
10	60696	4	Washer, .250 flat .625/.050, SS	
11	62001	2	Screw, .312-18x1.250 std hex, G5	
12	60243	4	Washer, .250 flat .735/.060	
13	13481	1	Assembly, fuel filter, Kubota	
14	13515	1	Element, fuel filter	
15	60285	2	Nut, .312-18 hex, G2	
16	60271	2	Washer, .312 split lock	
17	60393	2	Screw, .250-20x1.0 std hex, G5	
18	13278	1	Fuel pump, electric, Kubota	
19	50018	1.5 ft	Hose, fuel - .312 ID, 50 psi, SAE 30R7	
20	13526	1	Joint eye, double port, Kubota	
--	66342	1	Assembly, engine harness	

OPTIONAL FEATURES

Containment:

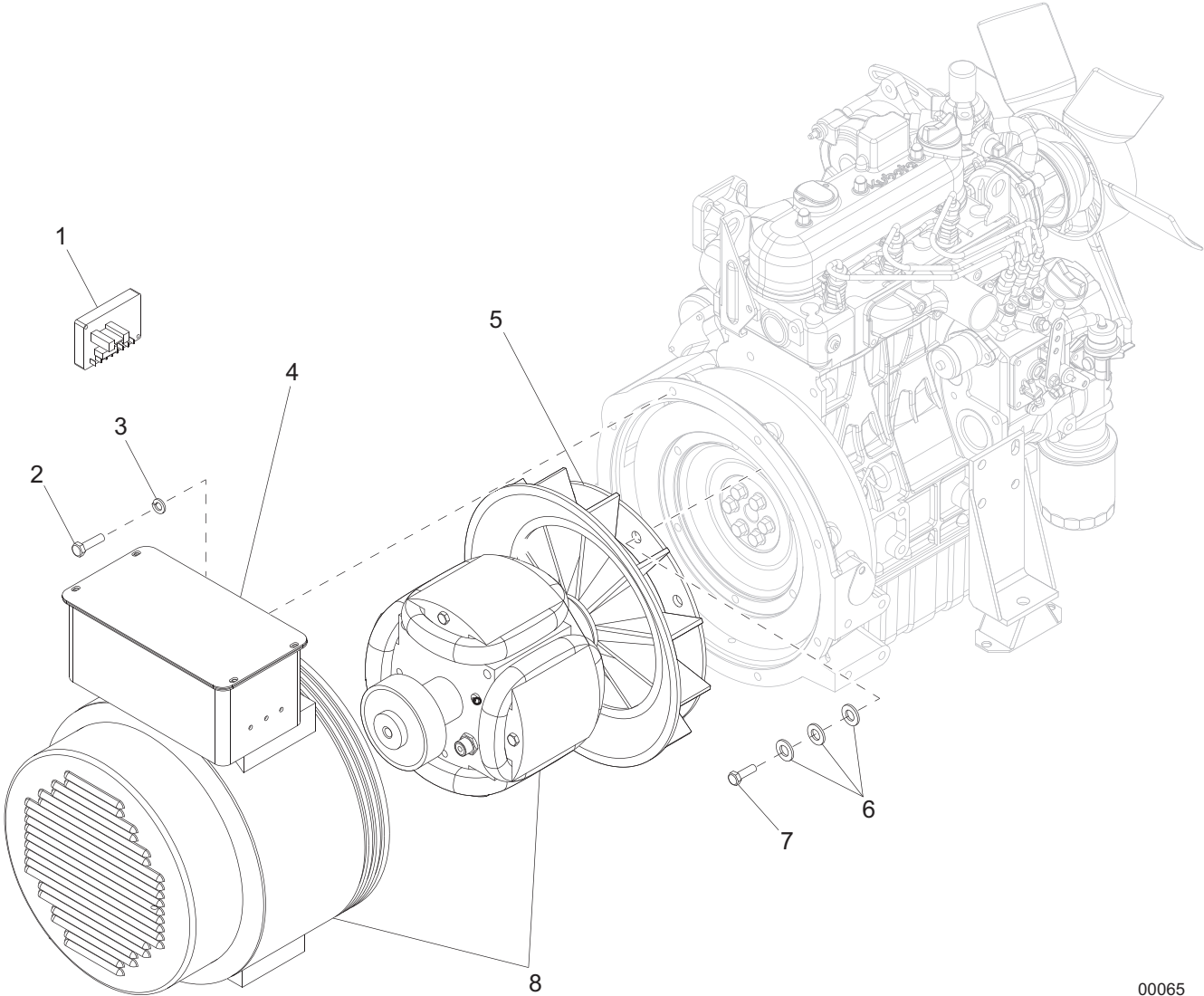
A	60774	1	Valve, drain - 22 mm-1.5 w/nipple
B	60365	1	Clamp, hose - SAE 010 (.56-1.06)
C	50201	1	Hose, .625, 200 psi, class A

Heated Fuel Filter:

D	10407	1	Adapter, heater element
E	13682	1	Heater, fuel filter
F	13515	1	Element, fuel filter
--	13834	1	Gasket, heated fuel filter
--	10662	1	Harness, fuel filter heater - outside
--	13684	1	Harness, fuel filter heater - inside

Note: Engine and generator parts used in all Magnum Power Products LLC equipment carry the Original Equipment Manufacturer (OEM) warranty unless otherwise stated. OEM warranty parts must be purchased through an OEM dealer. Please contact Magnum Power Products LLC with questions. Some Kubota engine parts are serial number specific. Please contact **Kubota Engine America Corp.** or the Magnum Power Products LLC Technical Service Department at 1-800-926-9768 for information regarding engine parts.

GENERATOR ASSEMBLY



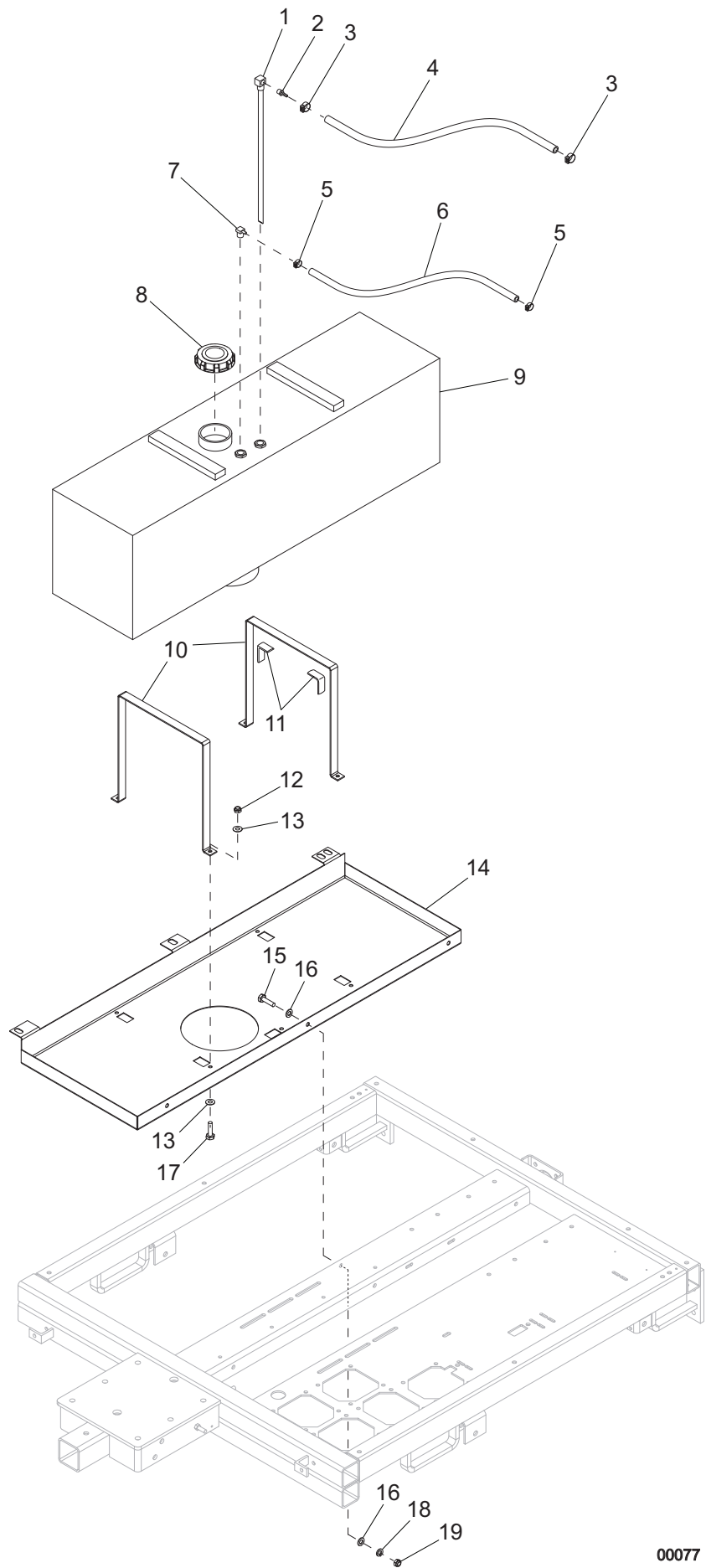
00065

GENERATOR ASSEMBLY

ITEM	PART NO.	QTY	DESCRIPTION	NOTES
1	18556	1	Regulator, voltage - SE 350	
2	60352	8	Screw, .375-16x1.250 std hex, G5	
3	60206	8	Washer, .375 split lock	
4	12736	1	Cover, generator box	
5	11000	1	Plate, drive	
6	60166	18	Washer, M8 flat	
7	60168	6	Screw, .312-18x.750 std hex, G5	
8	13740	1	Generator, Marathon, 332CSA/B3018	
--	16216	1	Assembly, generator harness	
--	15045B	1	Bracket, generator mounting	

Note: Engine and generator parts used in all Magnum Power Products LLC equipment carry the Original Equipment Manufacturer (OEM) warranty unless otherwise stated. OEM warranty parts must be purchased through an OEM dealer. Please contact Magnum Power Products LLC with questions.

FUEL TANK ASSEMBLY



00077

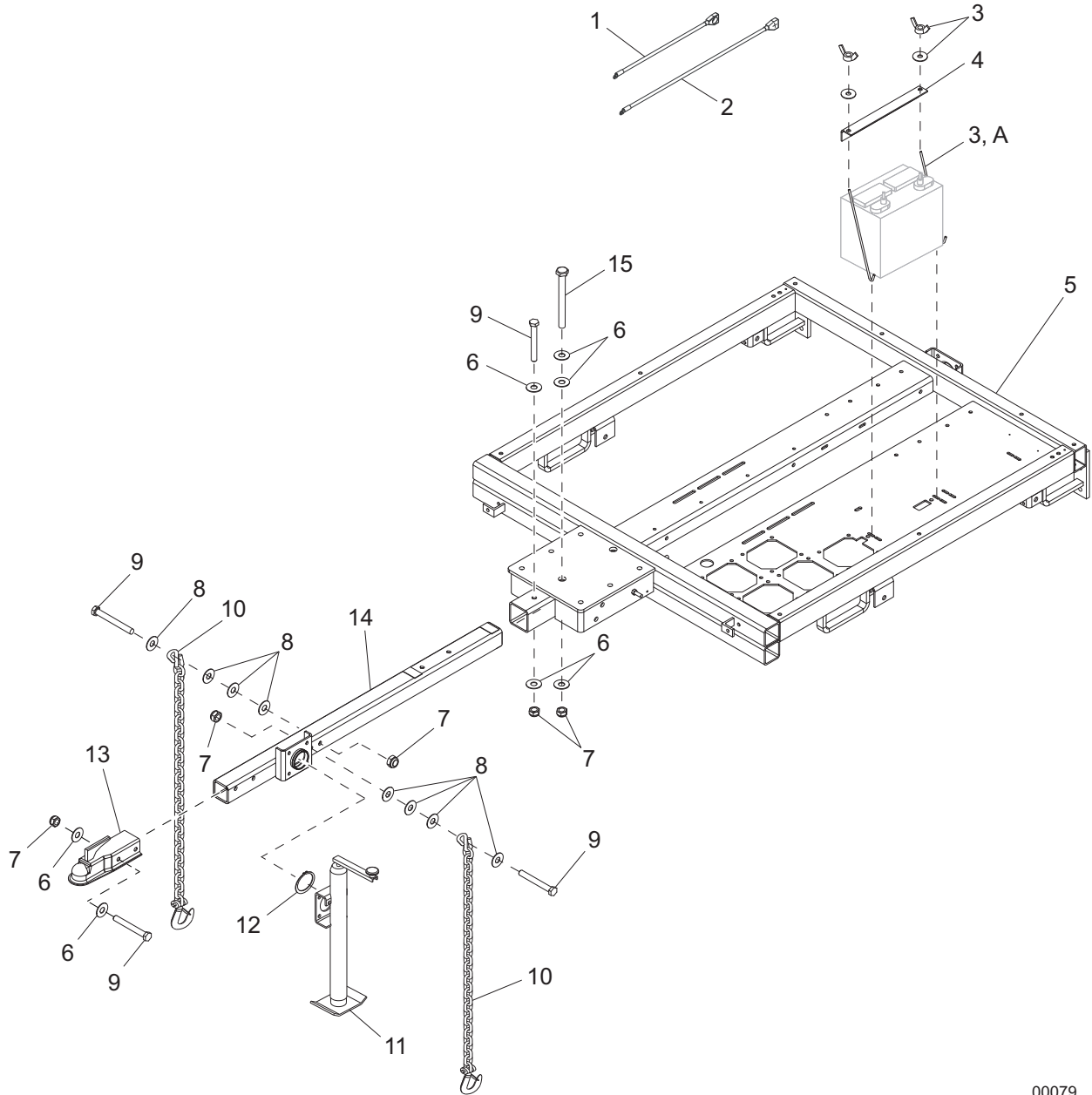
FUEL TANK ASSEMBLY

ITEM	PART NO.	QTY	DESCRIPTION	NOTES
1	13500	1	Fuel pick-up tube, 14 in	
2	15142	1	Fitting, strt - .250NPTx.312 barb	
3	60777	2	Clamp, hose - .312 fuel hose, crimp style	
4	50018	2.5 ft	Hose, fuel - .312 ID, 50 psi, SAE 30R7	
5	60778	2	Clamp, hose - .188 fuel hose, crimp style	
6	14211	2.5 ft	Hose, fuel - .188 ID, 50 psi, SAE 30R7	
7	16271	1	Fitting, 90° - .250NPTx.188 barb	
8	12080	1	Cap, fuel tank, vented - 3.5 in. green	
9	12646	1	Tank, fuel - 30 gal. poly	
10	13616B	2	Strap, fuel tank - 30 gal. tank w/sump	
11	50197	1 ft	Weatherstripping - .06x1.0	
12	60303	4	Nut, .312-18 nylock, G2	
13	60243	8	Washer, .250 flat .735/.060	
14	12358B	1	Pan, fuel tank - flat frame	
15	60690	6	Screw, .375-16x1.0 std hex, SS	
16	60698	12	Washer, .375 flat .875/.040, SS	
17	60256	4	Screw, .312-18x1.50 std hex, G5	
18	60703	6	Washer, .375 split lock, SS	
19	60140	6	Nut, .375-16 hex, G5	

OPTIONAL FEATURES

--	12162	1	Tank, fuel - 56 gal. poly
--	12359B	1	Fuel tank strap - large
--	12361B	1	Fuel tank strap
--	12259	1	Fuel pick-up tube, 24 in
--	12137	1	Cap, fuel tank - vented 3.5 in. w/lanyard

FRAME ASSEMBLY



00079

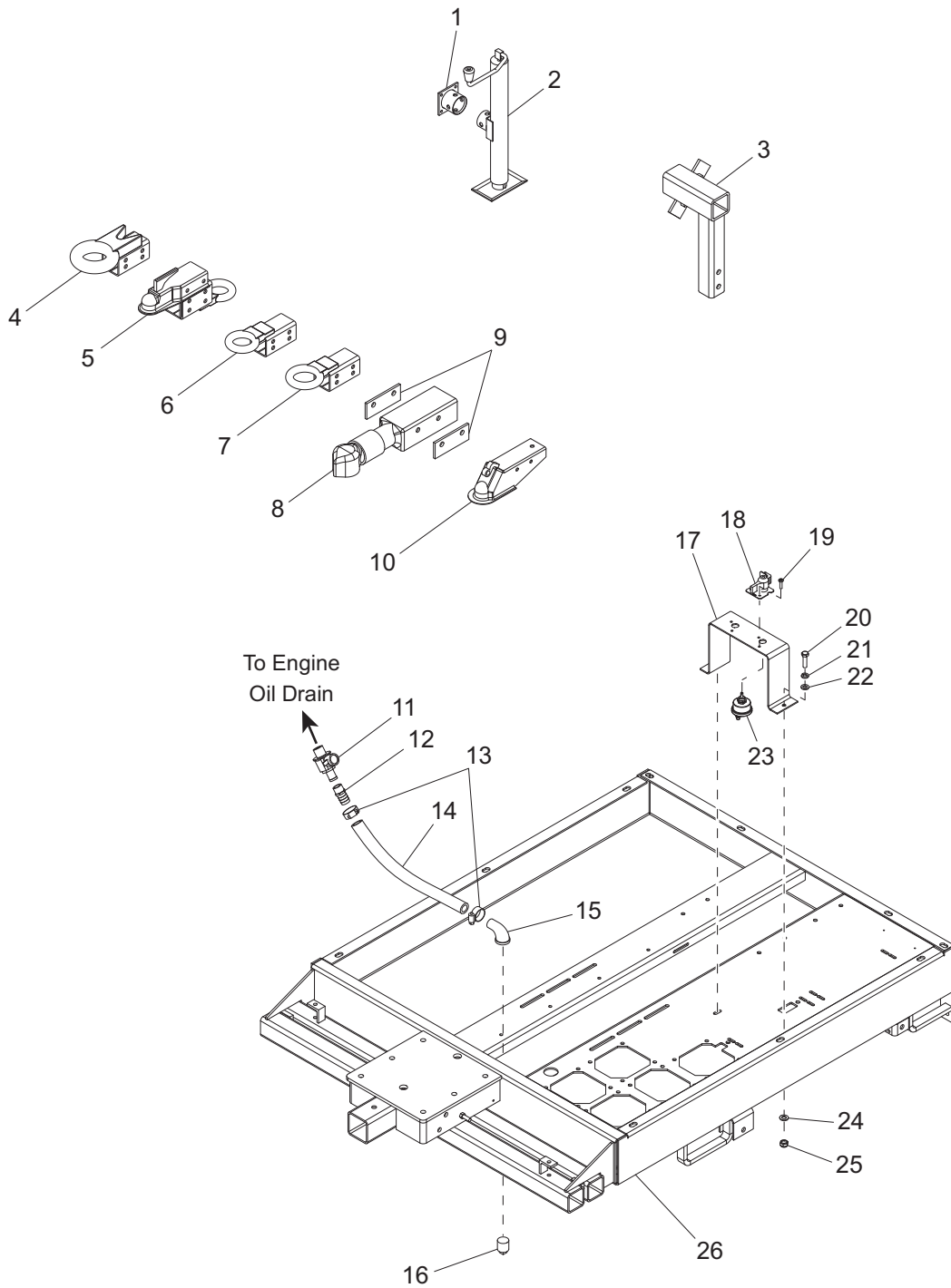
FRAME ASSEMBLY

ITEM	PART NO.	QTY	DESCRIPTION	NOTES
1	15073	1	Cable, battery - 24 in. 4GA, blk, 7/16 in. lug	
2	15074	1	Cable, battery - 38 in. 4GA, red, 7/16 in. lug	
--	10353	1	Boot, battery - top post 4 GA, red	
3	14146	2	Bolt, J - .250-20x10.0	
4	12924B	1	Angle, battery hold down	
5	13335B	1	Weldment, lt chassis	
6	60309	9	Washer, .500 flat 1.060/.090	
7	62221	6	Nut, .500-13 nylock, G5	
8	60416	8	Washer, .500 flat 1.375/.090	
9	50215	5	Screw, .500-13x4.0 std hex, G5	
10	23367	2	Chain, safety - 7800 lbs	
11	11682	1	Jack, top wind	
12	14326	1	Ring, retaining	
13	16830	1	Coupler, 2 in. ball/2.5 in. channel	
14	12420B	1	Weldment, removable tongue	
15	60659	1	Screw, .500-13x5.0 std hex, G5	

OPTIONAL FEATURES

A	60984	2	Bolt, J - .250-20x7.0	
---	-------	---	-----------------------	--

FRAME ASSEMBLY OPTIONS

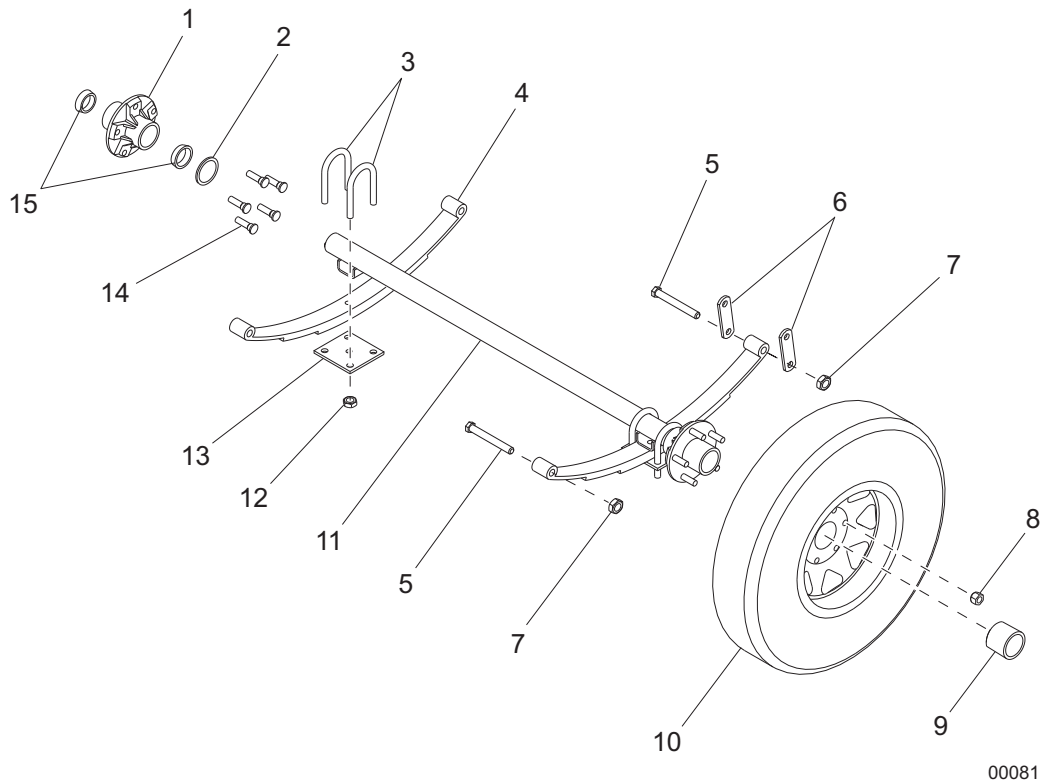


00457

FRAME ASSEMBLY OPTIONS

ITEM	PART NO.	QTY	DESCRIPTION	NOTES
<i>Jack Options:</i>				
1	11965Z	1	Weldment, jack adapter	
2	13051	1	Jack, 2000 lb top wind - tube-mounted	
<i>Spare Tire & Carrier:</i>				
3	12235B	1	Weldment, spare tire holder	
--	15976	1	Wheel, ST175/80D13, 1360# - 6pr	
<i>Hitch Options:</i>				
4	11672B	1	Weldment, hitch - 3.0x1.625 ring	
5	16741ZC	1	Weldment, combo hitch - 2.50 tongue	
6	16835B	1	Weldment, lunette ring - 3.0 ID/2.50	
7	16999B	1	Weldment, lunette ring - 2.50 ID/2.50	
8	13003B	1	Coupler, 2.0 ball/3.00 channel (Bulldog)	
9	12155B	2	Spacer, coupler - black	
10	12229	1	Coupler, 2.31 ball/3.0 channel	
<i>Oil Drain:</i>				
11	60774	1	Valve, drain - 22 mm-1.5 w/nipple	
12	62076	1	Fitting, strt - .750MNPTx.625 barb, brass	
13	60365	2	Clamp, hose - SAE 010 (.56-1.06)	
14	50709	3 ft	Hose, fuel - .625 ID, 300 psi	
15	28213	1	Fitting, .750NPT street elbow, galv	
16	60498	1	Fitting, plug - .750NPT square drive	
<i>Battery Disconnect:</i>				
17	13654B	1	Bracket, battery disconnect	
18	65499	1	Switch lockout lever kit	
19	60277	2	Screw, 10-32x.500 pan phil, G2	
20	60028	2	Screw, .312-18x1.0 std hex, G5	
21	60271	2	Washer, .312 split lock	
22	60119	2	Washer, .312 flat .875/.070	
23	65498	1	Switch, disconnect	
24	60067	2	Washer, #10 flat .435/.060, SS	
25	60061	2	Nut, 10-32 nylock	
--	10698	1	Cable, battery - 21 in. 4GA black, .375 lug	
--	10699	1	Cable, battery - 24 in. 4GA black, .375 lug	
--	17895	1	Cable, battery - 40 in. 4GA red, .438 lug	
<i>Containment:</i>				
26	10496B	1	Weldment, chassis - 60 gal	

AXLE ASSEMBLY

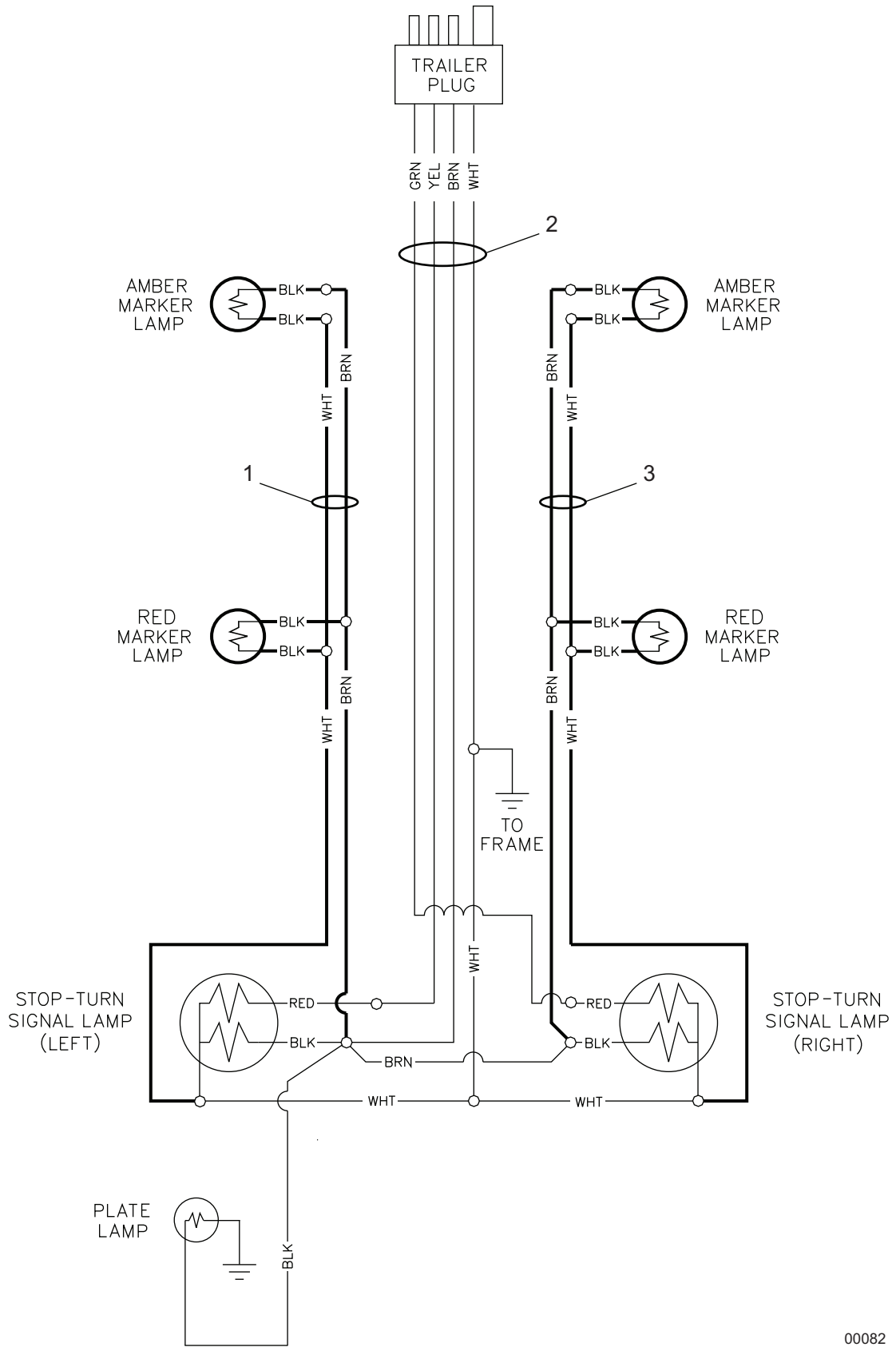


00081

AXLE ASSEMBLY

ITEM	PART NO.	QTY	DESCRIPTION	NOTES
1	11206	2	Hub, axle (w/wheel studs & bearings)	
2	11199	2	Seal, axle bearing	
3	11277	4	U-bolt, axle	
4	11280	2	Leaf spring, 3500 lb	
5	60503	6	Screw, .562-18x3.0 hex shackle, G5	
6	19637	4	Plate, shackle bracket	
7	60504	6	Nut, .562-18 hex shackle lock, G5	
8	60096	10	Nut, .500-20 lug, G5	
9	12460	2	Axle wheel bearing cap	
10	15976	2	Wheel, 13 in., tire and rim - ST175/80D 13	
11	16593	1	Axle, 2200 lb. 56TC 45SC	
12	11279	8	Axle nut (U-bolt), 3500 lb	
13	11278	2	Tie-plate, 3500 lb	
14	60674	10	Stud, wheel - .500-20, G8	
15	11511	4	Axle roller bearing	

TRAILER LIGHTS WIRING DIAGRAM



00082

TRAILER LIGHTS WIRING DIAGRAM

ITEM	PART NO.	QTY	DESCRIPTION	NOTES
1	10264	1	Harness, left side trailer	
2	14129	1	Assembly, trailer light harness	
3	10265	1	Harness, right side trailer	

OPTIONAL FEATURES

--	65465	1	Adapter, trailer wiring flat 4 to 7 blade
--	65464	1	Adapter, trailer wiring flat 4 to round 7 pin
--	65463	1	Adapter, trailer wiring flat 4 to round 6 pin

RECOMMENDED SPARE PARTS LIST

ENGINE

Cap, fuel	12080
Cap, radiator - 14 psi	19219

ELECTRICAL

Breaker, 20A/120V 1-pole, push button.....	65849
Breaker, 30A/250V 2-pole stud, 6kw	65963
Breaker, 40A/250V 2-pole screw, 8kw	65864
Key, control panel	15309
Receptacle, 20A/120V GFCI	14130
Receptacle, 30A/240V twist-lock	14137
Regulator, voltage - SE350.....	18556
Relay, 15 sec. fixed delay (10A/12VDC).....	14201

TRAILER

Chain, safety.....	23367
Jack, top wind (2000 lb).....	11682
Retaining ring, jack	14326
Light, rear tail/turn signal	10220
Grommet, rear light.....	10221

REV: ORG
PART NO: 10586
03.06.14